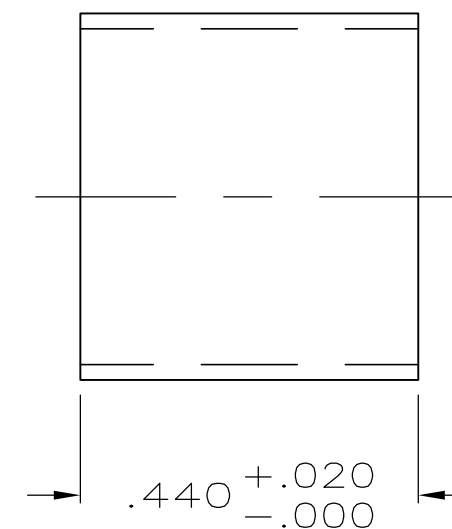
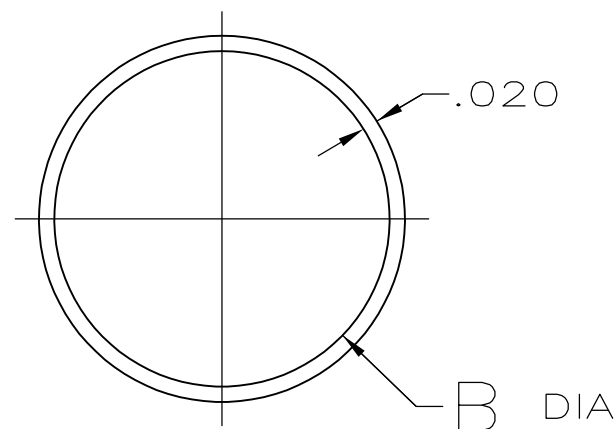
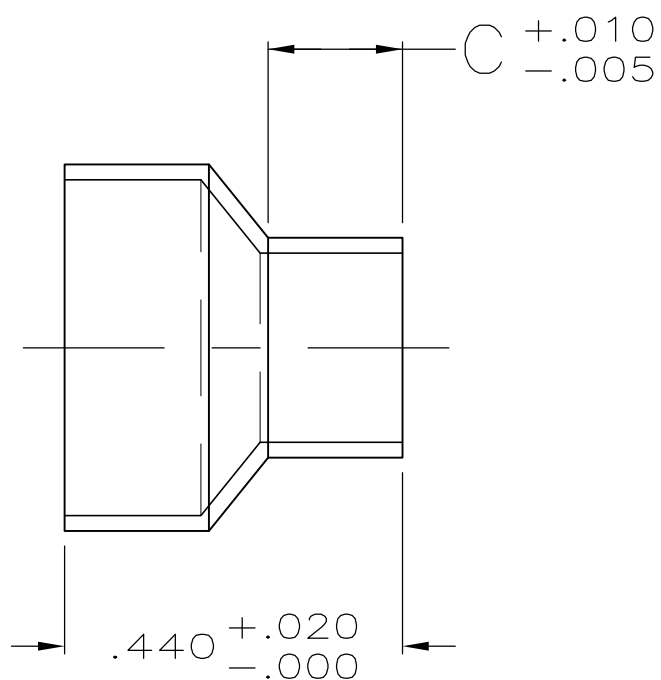
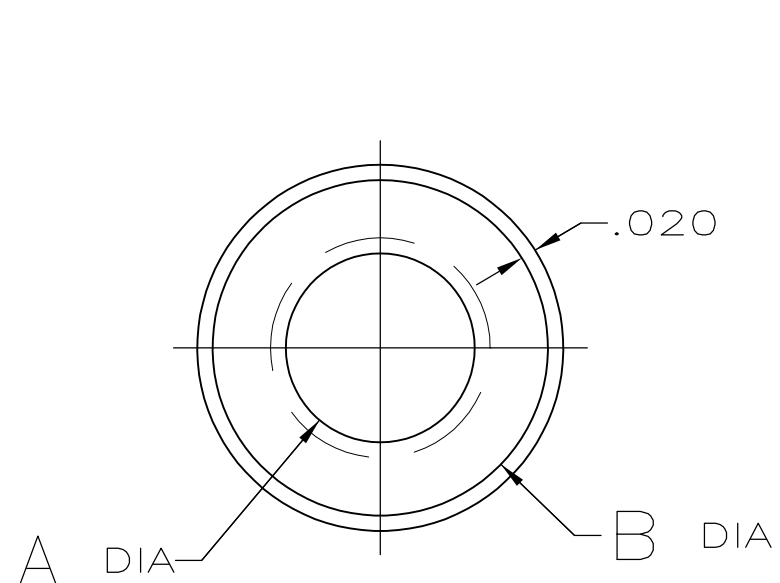


THIS DRAWING IS UNPUBLISHED. RELEASED FOR PUBLICATION
 © COPYRIGHT BY TYCO ELECTRONICS CORPORATION. ALL RIGHTS RESERVED.

LOC	DIST	REVISIONS			
P	LTR	DESCRIPTION	DATE	DWN	APVD
GP	00	K2	REVISED PER ECO-07-006181	15JUN07	JDP CWR



STYLE I (STEPPED)

STYLE II (STRAIGHT)

	△2	I I	.460-.400	-	.460	-	3-747579-6	
	△2	I	.375-.324	.175	.437	.375	3-747579-4	
	△2	I	.324-.246	.175	.437	.324	3-747579-2	
	△2	I	.246-.165	.175	.437	.246	3-747579-0	
	△2	I I	.437-.375	-	.437	-	2-747579-7	
OBSOLETE	△1	I I	.460-.400	-	.460	-	1-747579-4	
OBSOLETE	△1	I I	.437-.375	-	.437	-	1-747579-2	
OBSOLETE	△1	I	.375-.324	.175	.437	.375	1-747579-1	
OBSOLETE	△1	I	.324-.246	.175	.437	.324	1-747579-0	
OBSOLETE	△1	I	.246-.165	.175	.437	.246	747579-8	
		FINISH	STYLE	INSULATION RANGE DIAMETER, REF	C	B	A	PART NUMBER

△1 .000200 MIN BRIGHT TIN-LEAD OVER .000100 MIN COPPER.
 △2 .000200 MIN BRIGHT TIN OVER .000100 MIN COPPER.

THIS DRAWING IS A CONTROLLED DOCUMENT.		DWN B. MCMASTER 21MAY04	Tyco Electronics Corporation Harrisburg, Pa 17105-3608	
DIMENSIONS: INCHES		CHK J. GERACE 21MAY04	NAME FERRULE, OUTER, SIZES 1 THRU 3, SHIELDING HARDWARE, AMPLIMITE®	
TOLERANCES UNLESS OTHERWISE SPECIFIED: 0 PLC ± - 1 PLC ± - 2 PLC ± - 3 PLC ± .005 4 PLC ± - ANGLES ± -		APVD M. WALMSLEY 21MAY04	PRODUCT SPEC - APPLICATION SPEC -	
MATERIAL STEEL, ANNEALED	FINISH SEE TABLE	WEIGHT -	SIZE A3	CAGE CODE 00779
CUSTOMER DRAWING		DRAWING NO C-747579	RESTRICTED TO -	SCALE 4:1
		SHEET 1 OF 1		REV K2